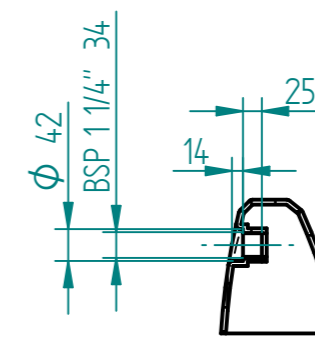
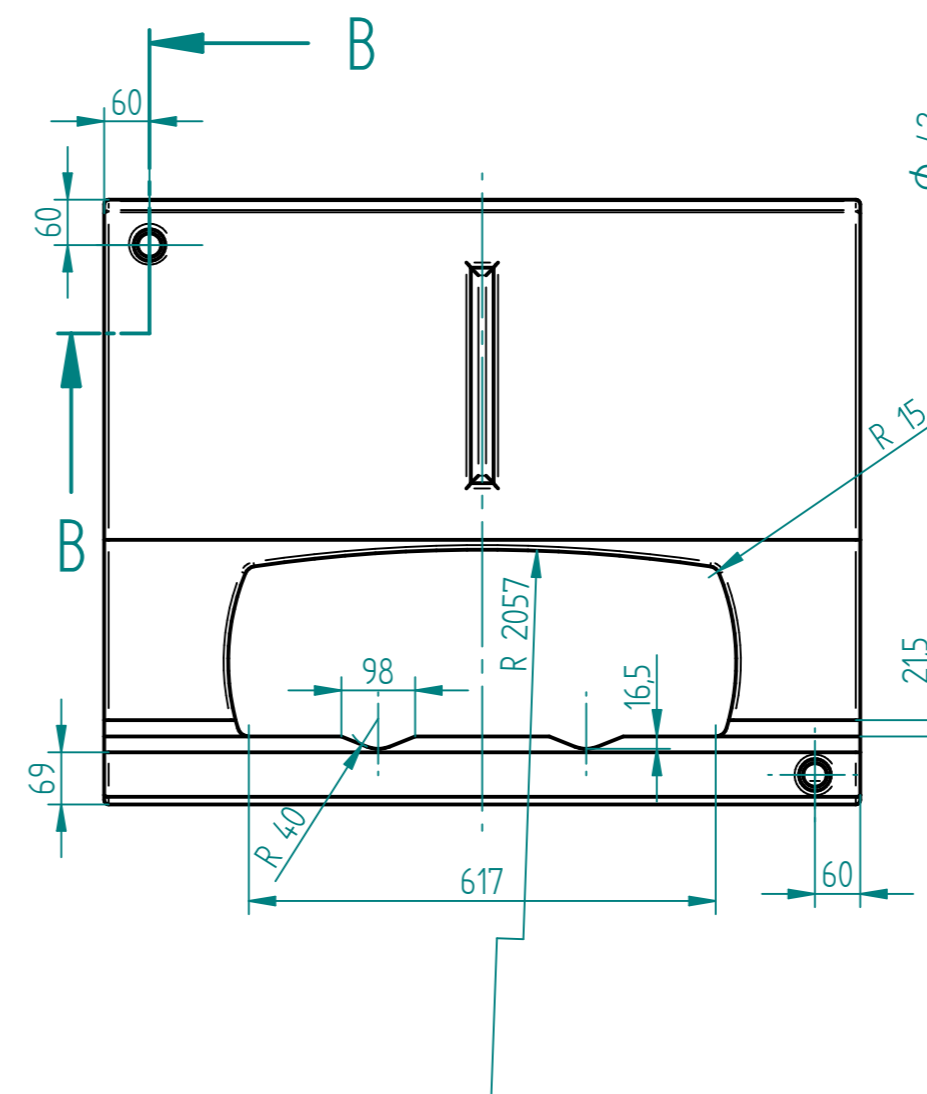
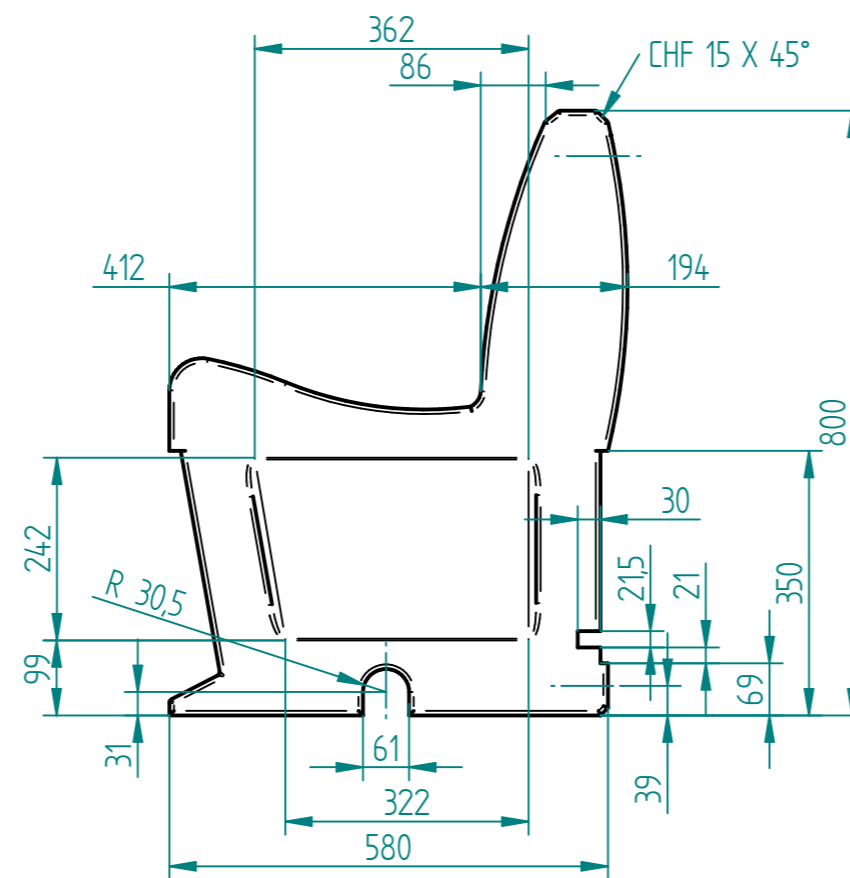
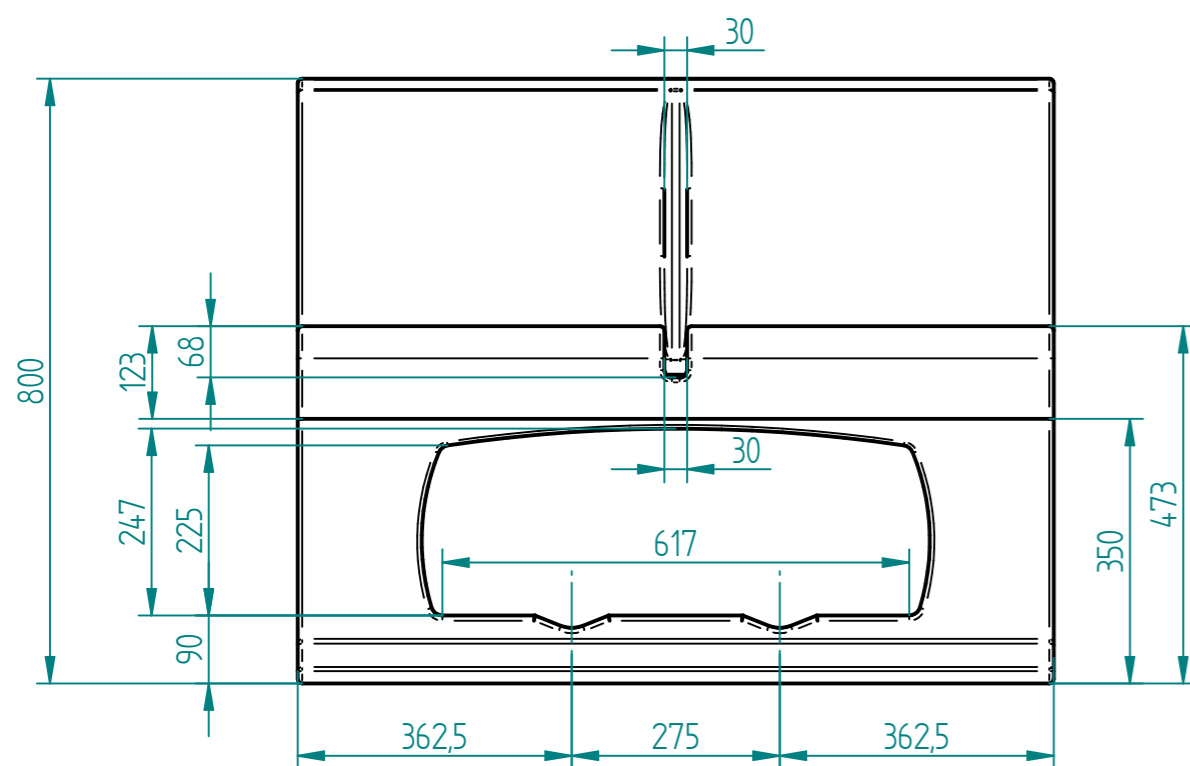
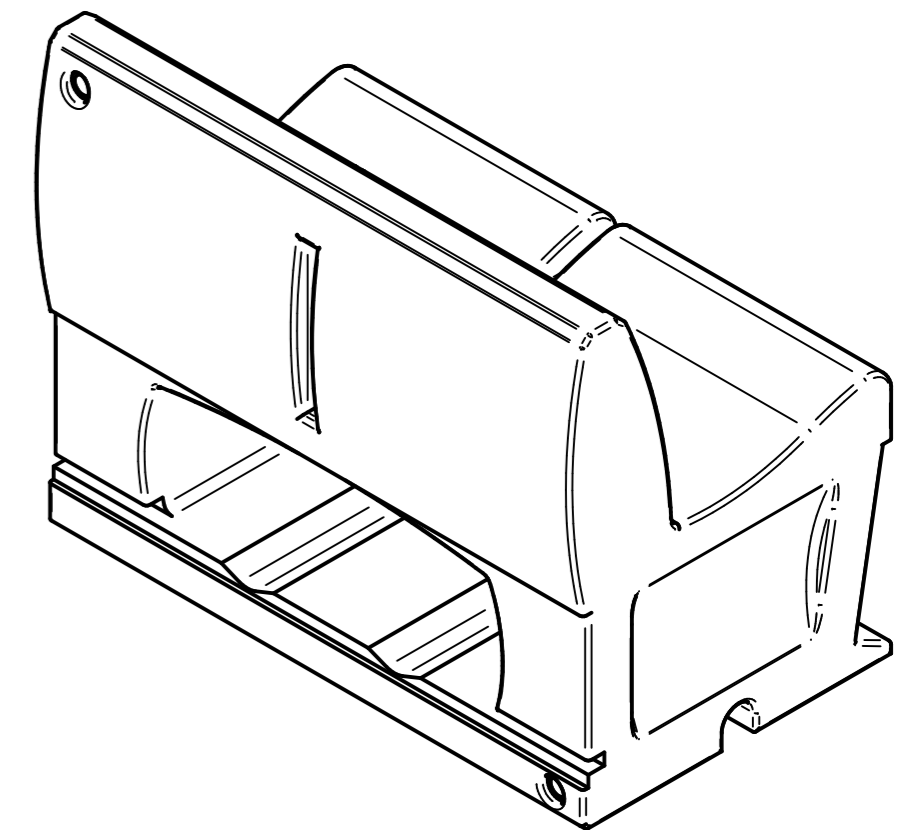
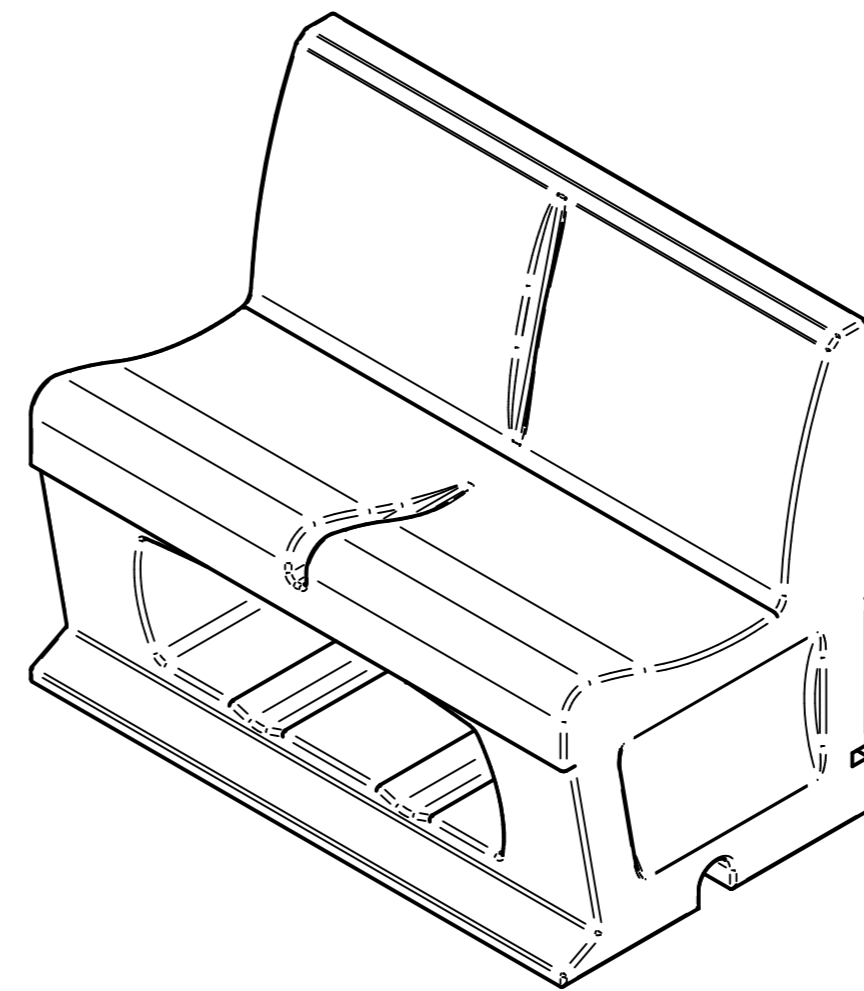
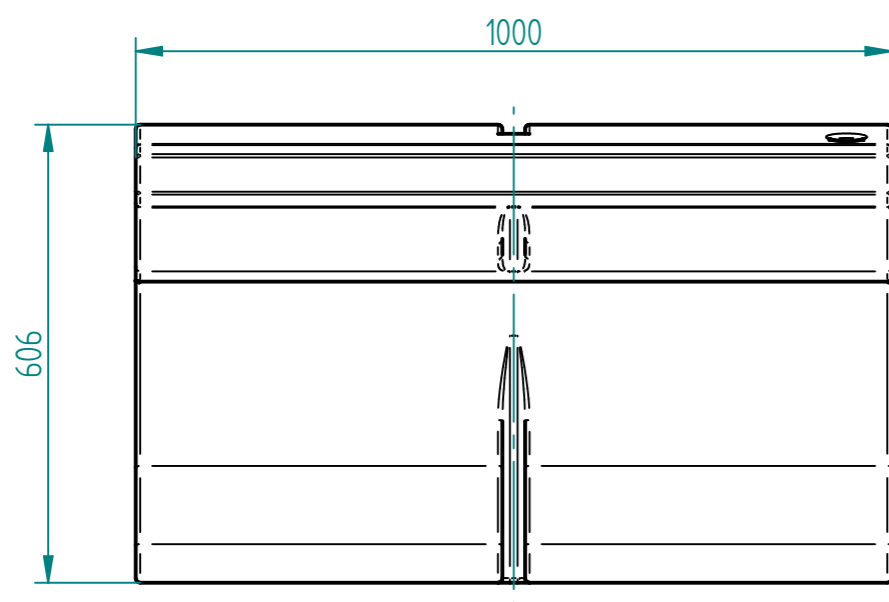
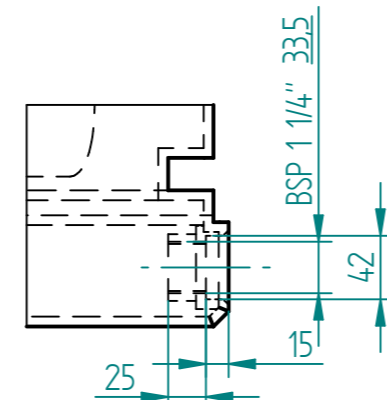
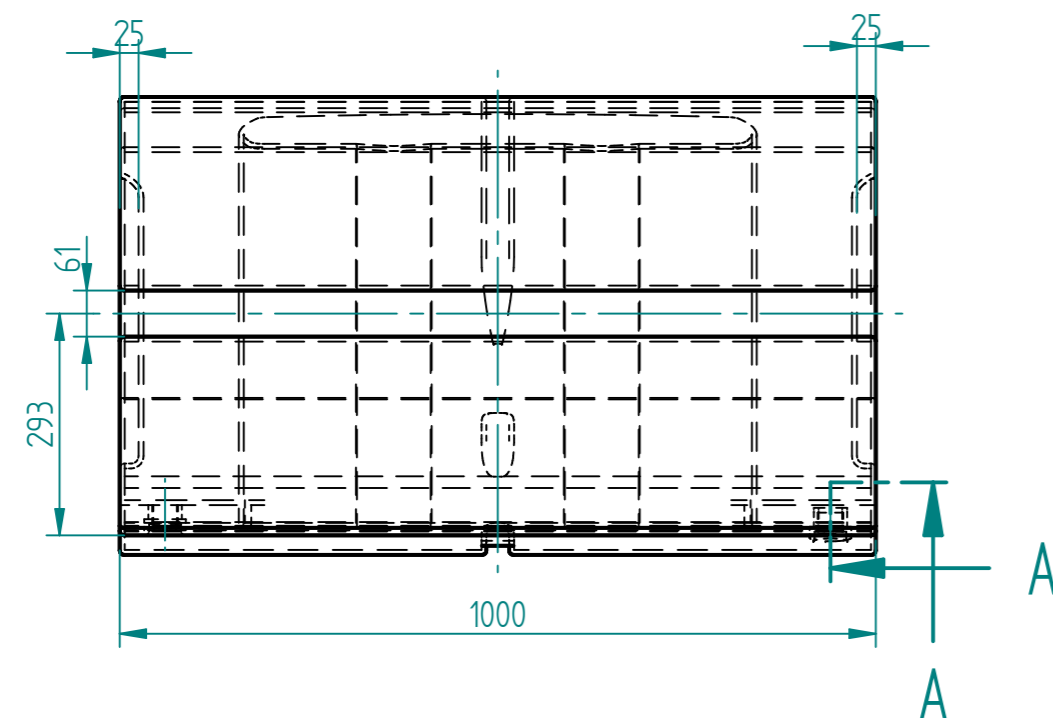
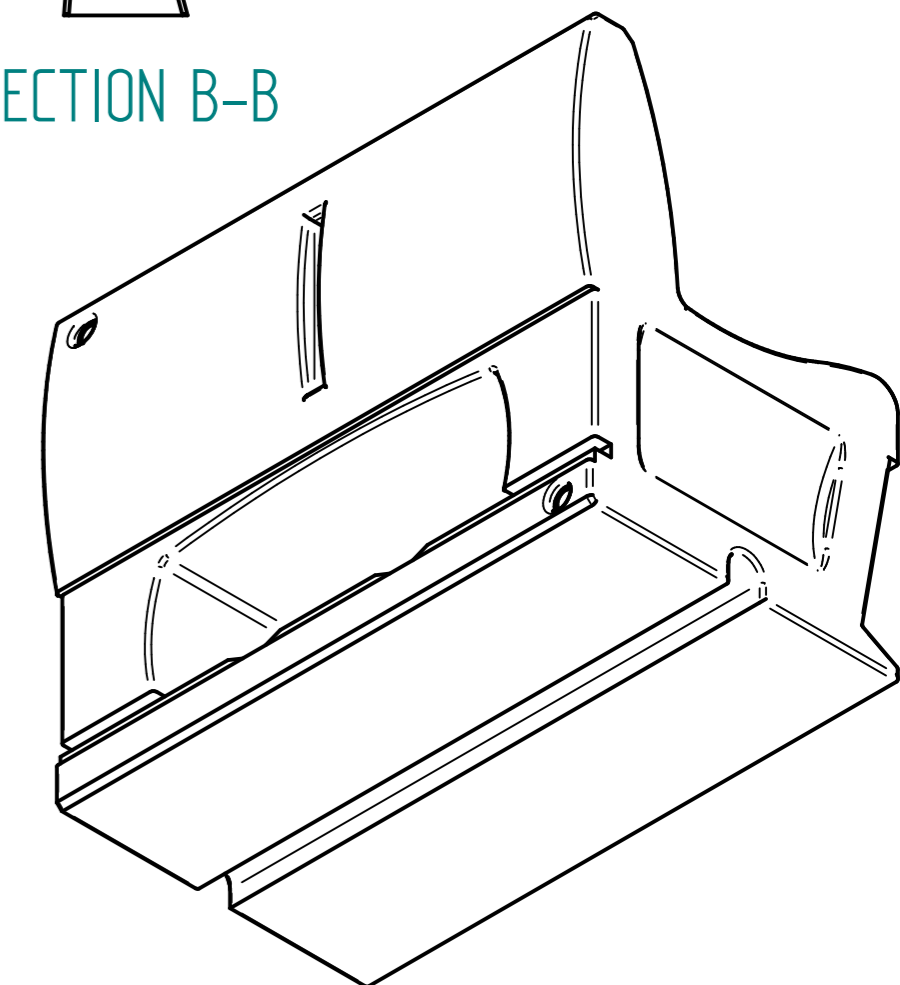


REVISION HISTORY			
REV	DESCRIPTION	DATE	APPROVED



SECTION B-B



SECTION A-A

This drawing is an intellectual property of Simply Solar Gbr. and its principals. This drawing or no part of it may be used or reproduced without written permission of Directors of Simply Solar Gbr.

	NAME	DATE	SuGree Products	
DRAWN	M Naik	02/11/20	TITLE	
CHECKED			PV Port Bench V3	
ENG APPR			SIZE	DWG NO
MGR APPR			A2	SGP-SS-SPVP-PB-00
UNLESS OTHERWISE SPECIFIED DIMENSIONS ARE IN MILLIMETERS ANGLES ±X.X° 2 PL ±XXX 3 PL ±XXXX			REV	01
SCALE:	WEIGHT:	SHEET 1 OF 1		